



AIRCO SAFE

READY TO USE PROBIOTIC SOLUTION FOR A/C

PROPERTIES

- 100% ORGANIC
- very strong action
- safe to use on all washable surfaces
- modern detergents combined with probiotics provides deep cleaning, at the microscopic level
- considerably reduces the risk of unpleasant odors and fights them actively
- helps forming and maintaining a healthy microflora on surfaces
- effect up to 6 months due to probiotic bacteria that multiplies and keeps the surface sanitized

PACKAGING

500ml HDPE bottles with spray head



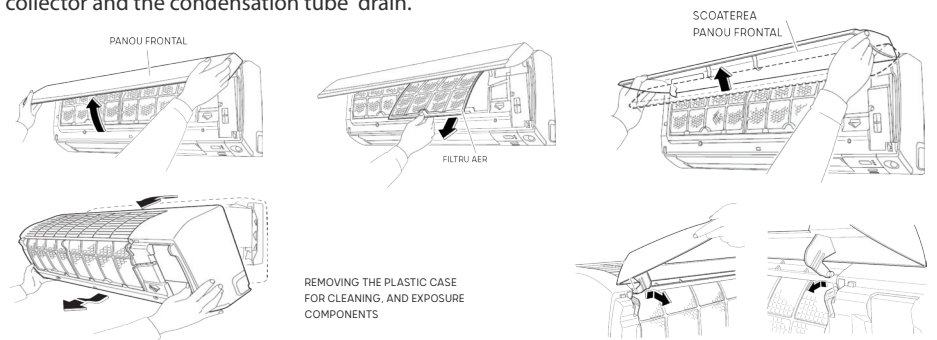
DO NOT SWALLOW
KEEP AOUT OF THE REACH OF CHILDREN

DESCRIPTION

AIRCO SAFE is a ready-to-use organic solution, enriched with probiotic bacteria. The effect of the product is based on probiotics that produce enzymes for a long time. These enzymes break down organic residues, which separate from the substrate and dissolve them to be easier to be removed mechanically.

It is used as such, by spraying on elements that require cleaning and sanitation (split vaporizers, their filters, lamellar condensers and including apparatus housings)

The solution is allowed to act for up to 15 minutes, then either rinse with water under low pressure on the filters and condensers of external splits, or turn on the air conditioner in cooling operation ,case in which the elimination of the solution and the dirt of the evaporator is done through the collector and the condensation tube drain.



SUITABLE FOR CLEANING AND SANITAZING A/C COMPONENT LIKE:

- VAPORIZER
- CONDENSATOR
- TURBINE
- CONDENSATION TRAY
- AIR FILTER

ATTENTION!

Store the products between 5°C and 45°C.

IMPORTANT NOTE

No need for gloves or protective equipment

